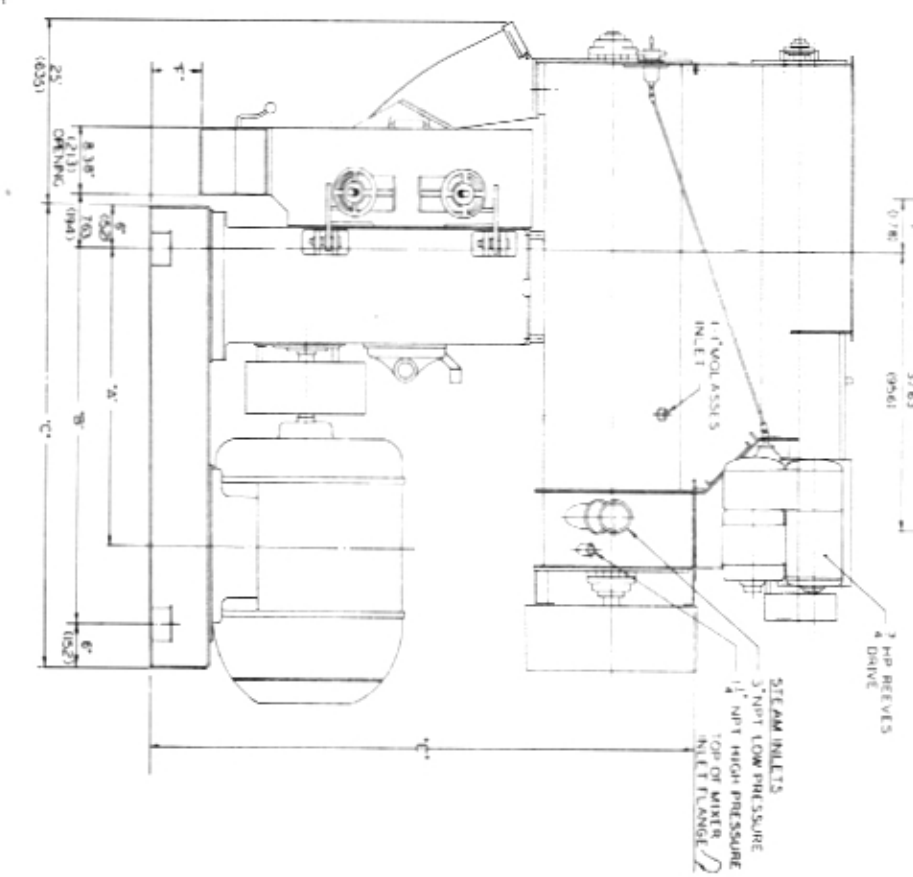
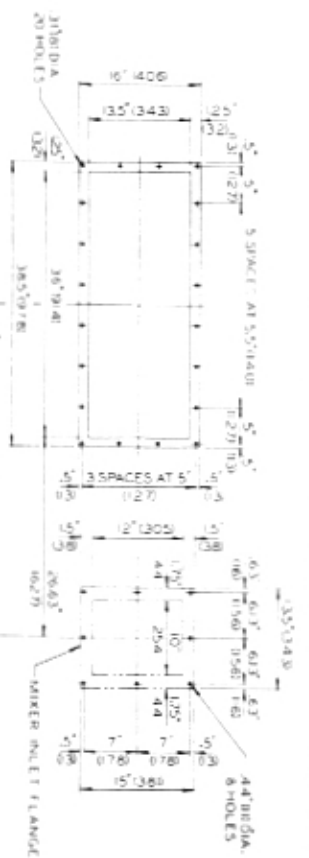
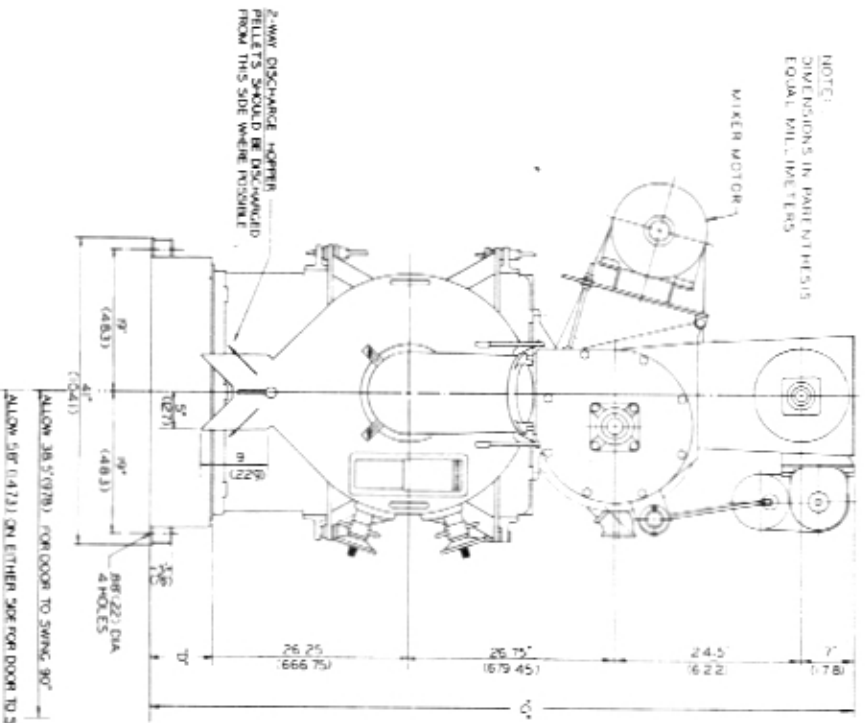


Motor Frame	'A'	'B'	'C'
444T (Typ)	42.43" (1077.72)	50.25" (1276.35)	62.25" (1581.15)
'D'	'E'	'F'	'G'
8.38" (212.85)	72.25" (1835.15)	6.63" (168.40)	92.88" (2359.15)

NOTE:
DIMENSIONS IN PARENTHESIS
EQUAL MILLIMETER TERMS



THIS DIMENSION SHEET IS FOR REFERENCE ONLY UNLESS PROPERLY ENDORSED.

CERTIFIED FOR _____

CUSTOMER'S ORDER NO. _____

CPM'S ORDER NO. _____

CERTIFIED BY _____

DATE _____

General Dimension Drawing

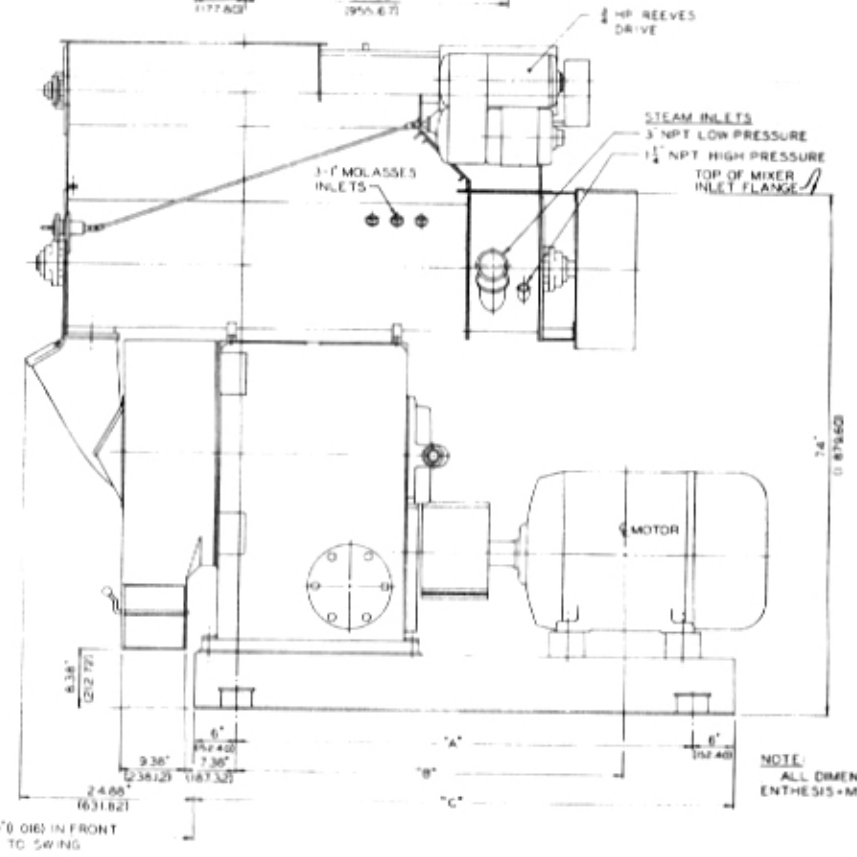
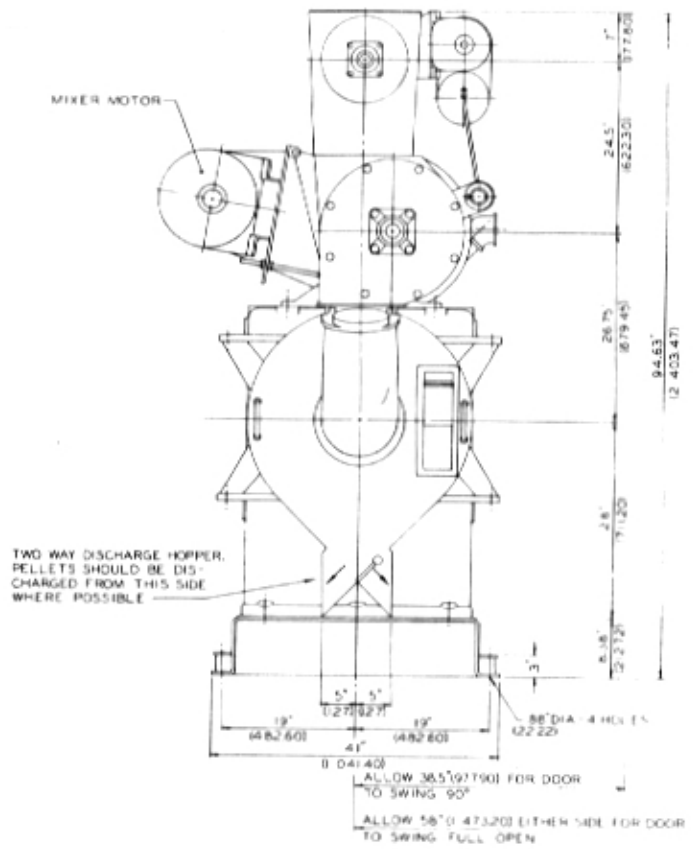
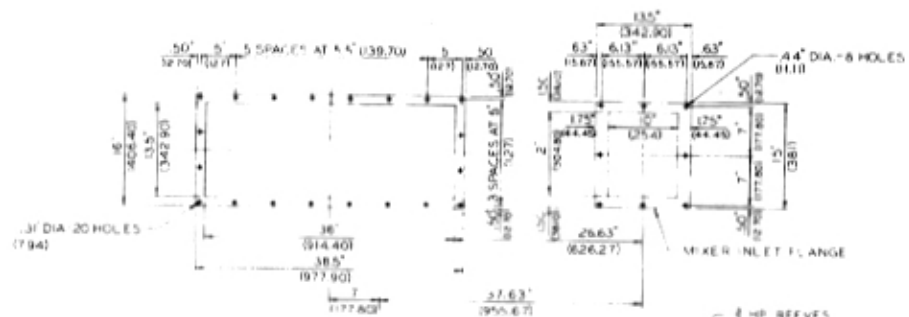
"CENTURY" PELLET MILL
ARRANGEMENT "KM"
WITH STANDARD SIZE PELLET CHAMBER



CALIFORNIA PELLET MILL CO.

eng. form 0655.2

Motor Frame	'A'	'B'	'C'
445T(TYP)	65" (1 651)	55.25" (1 403.35)	77" (1 955.80)



THIS DIMENSION SHEET IS FOR REFERENCE ONLY UNLESS PROPERLY ENDORSED.

CERTIFIED FOR _____
 CUSTOMER'S ORDER NO. _____ CPM's ORDER NO. _____
 CERTIFIED BY _____ DATE _____



General Dimension Drawing

DUAL - SPEED 1SC PELLET MILL
 MIXER FEEDER ARR. 'KM'
 STANDARD SIZE PELLET CHAMBER

CALIFORNIA PELLET MILL CO.

eng. form 0613.1